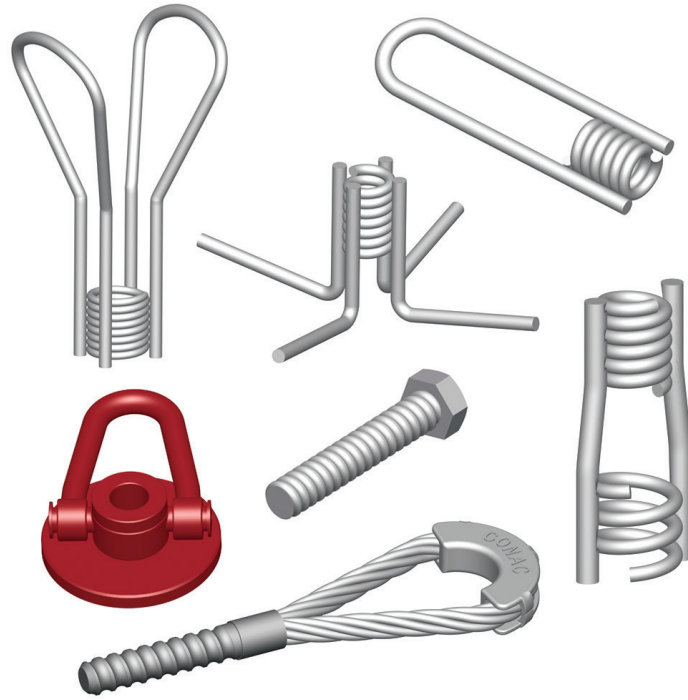


# Coil

## Lifting System

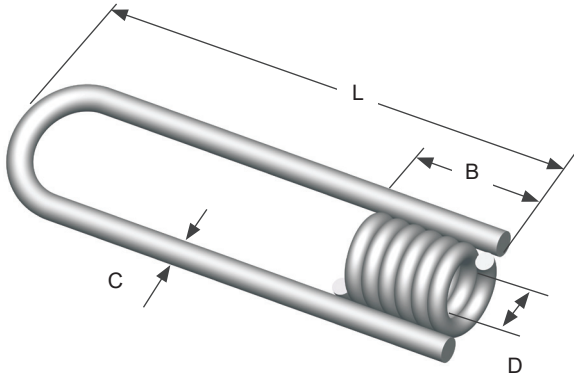


# Coil Lifting System



## Straight Coil Loop Inserts

Coil is welded to a single wire closed loop.

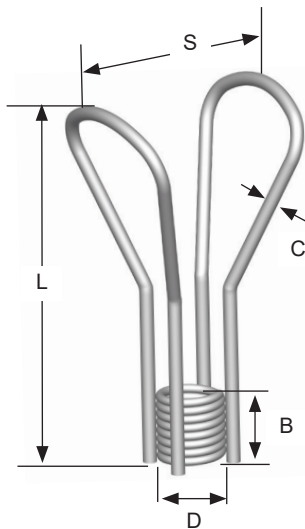


| ITEM CODE | THREAD (D) | INSERT LENGTH (L) | BODY LENGTH (B) | WIRE DIA. (C) | SWL (LBS) | EDGE DIST. |
|-----------|------------|-------------------|-----------------|---------------|-----------|------------|
| C16B0540  | 1/2" coil  | 4"                | 1-3/16"         | 0.306"        | 2250      | 5"         |
| C16B0560  | 1/2" coil  | 6"                | 1-3/16"         | 0.306"        | 3000      | 7"         |
| C16B0524  | 1/2" coil  | 24"               | 1-3/16"         | 0.306"        | 3000      | 7"         |
| C16B07540 | 3/4" coil  | 4"                | 1-5/8"          | 0.375"        | 2250      | 5"         |
| C16B07560 | 3/4" coil  | 6"                | 1-5/8"          | 0.375"        | 3750      | 7"         |
| C16B1040  | 1" coil    | 4"                | 2-1/16"         | 0.375"        | 3750      | 5"         |
| C16B1050  | 1" coil    | 5"                | 2-1/16"         | 0.375"        | 3750      | 6"         |
| C16B1060  | 1" coil    | 6"                | 2-1/16"         | 0.375"        | 3750      | 7"         |
| C16B1080  | 1" coil    | 8"                | 2-1/16"         | 0.375"        | 3750      | 9"         |

Safe working loads based on approximate 4:1 Safety Factor in 3,000 psi normal weight concrete. CONAC does not recommend using 1/2" inserts for lifting.

## Double Flared Coil Loop Inserts

Second coil loop adds significant capacity in both shear and tension.

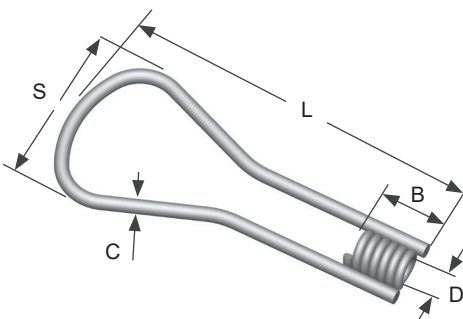


| ITEM CODE           | THREAD (D) | INSERT LENGTH (L) | BODY LENGTH (B) | WIRE DIA. (C) | SWL (LBS) | S      |
|---------------------|------------|-------------------|-----------------|---------------|-----------|--------|
| C17B1012 HD         | 1"         | 12"               | 2-1/16"         | 0.440"        | 13500     | 5-3/4" |
| C17B-1-1/4" X 12 HD | 1-1/4"     | 12"               | 2-3/8"          | 0.440"        | 13500     | 5-3/4" |
| C17B 1-1/2" x 12 HD | 1-1/2"     | 12"               | 2-9/16"         | 0.440"        | 13500     | 5-3/4" |

Safe working loads based on approximate 4:1 Safety Factor in 3,000 psi normal weight concrete.

## Single Flared Coil Loop Inserts

Coil is welded to a singled flared wire loop strut.



| ITEM CODE   | THREAD (D) | INSERT LENGTH (L) | BODY LENGTH (B) | WIRE DIA. (C) | LOOP SPREAD (S) | SWL (LBS) | SUGGESTED EDGE DISTANCE |
|-------------|------------|-------------------|-----------------|---------------|-----------------|-----------|-------------------------|
| C18B0540    | 1/2"       | 4"                | 1-3/16"         | 0.306"        | 3-1/8"          | 3000      | 6"                      |
| C18B0512    | 1/2"       | 12"               | 1-3/16"         | 0.306"        | 3-1/8"          | 3000      | 20"                     |
| C18B07540   | 3/4"       | 4"                | 1-5/8"          | 0.375"        | 3-1/2"          | 3000      | 6"                      |
| C18B07560   | 3/4"       | 6"                | 1-5/8"          | 0.375"        | 3-1/2"          | 4750      | 9"                      |
| C18B0759 HD | 3/4"       | 9"                | 1-5/8"          | 0.440"        | 5-5/8"          | 6640      | 15"                     |
| C18B07512HD | 3/4"       | 12"               | 1-5/8"          | 0.440"        | 5-5/8"          | 6640      | 20"                     |
| C18B109 HD  | 1"         | 9"                | 2-1/16"         | 0.440"        | 5-5/8"          | 8000      | 15"                     |
| C18B1012HD  | 1"         | 12"               | 2-1/16"         | 0.440"        | 5-3/4"          | 8000      | 20"                     |

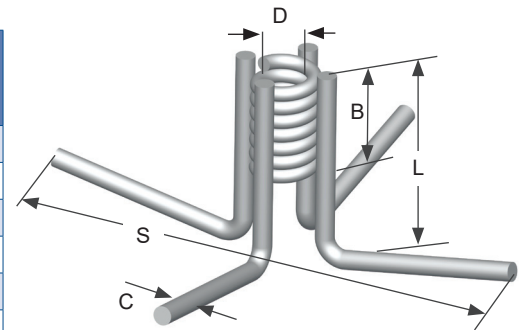
Safe working loads based on approximate 4:1 Safety Factor in 3,000 psi normal weight concrete. CONAC does not recommend using 1/2" inserts for lifting.

## Thin Slab 4 Leg Coil Inserts

Very versatile insert intended for use for lifting and handling thin slab concrete. The coil is welded to four "L" shaped legs.

| ITEM CODE     | THREAD (D) | INSERT LENGTH (L) | BODY LENGTH (B) | WIRE DIA. (C) | SPREAD (S) | SWL (LBS) | STRUTS |
|---------------|------------|-------------------|-----------------|---------------|------------|-----------|--------|
| C53C0753      | 3/4"       | 3"                | 1-5/8"          | 0.375"        | 7-1/16"    | 2000      | 4      |
| C53C07540     | 3/4"       | 4"                | 1-5/8"          | 0.375"        | 7-1/16"    | 2000      | 4      |
| C53C0755      | 3/4"       | 5"                | 1-5/8"          | 0.375"        | 7-1/16"    | 2500      | 4      |
| C53C1035      | 1"         | 3-1/2"            | 2-1/16"         | 0.375"        | 9-3/8"     | 3000      | 4      |
| C53C1040      | 1"         | 4"                | 2-1/16"         | 0.375"        | 9-3/8"     | 3000      | 4      |
| C53C1055      | 1"         | 5-1/2"            | 2-1/16"         | 0.375"        | 9-3/8"     | 3000      | 4      |
| C53C10612 W/6 | 1"         | 6-1/2"            | 2-1/16"         | 0.375"        | 9-3/8"     | 3000      | 6      |
| C53C1240      | 1-1/4"     | 4"                | 2-1/16"         | 0.375"        | 9-3/4"     | 3000      | 4      |

Safe working loads based on approximate 4:1 Safety Factor in 3,000 psi normal weight concrete.

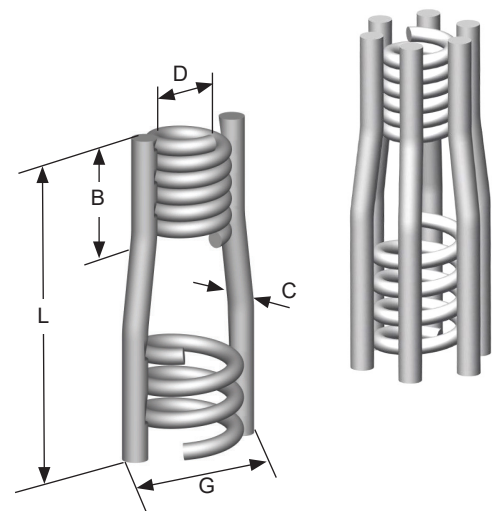


## Expanded Coil Inserts With 2, 4 and 6 Struts

Coil is welded to dual flared wire loop struts. Intended for use in heavy anchorage conditions. Inserts located at the end of either two or four wire connecting struts.

| ITEM CODE  | STRUTS | THREAD (D) | INSERT LENGTH (L) | BODY LENGTH (B) | WIRE DIA. (C) | OVERALL WIDTH (G) | SWL (LBS) |
|------------|--------|------------|-------------------|-----------------|---------------|-------------------|-----------|
| C56C-3/4   | 2      | 3/4"       | 4-1/2"            | 1-5/8"          | 0.440"        | 2-1/8"            | 4250      |
| C56C-1     | 2      | 1"         | 5-1/2"            | 2-1/16"         | 0.440"        | 2-3/4"            | 6250      |
| C58C-1-1/4 | 4      | 1-1/4"     | 7-1/2"            | 2-3/8"          | 0.440"        | 3"                | 12000     |
| C60C-1-1/2 | 6      | 1-1/2"     | 9-1/2"            | 2-9/16"         | 0.440"        | 3"                | 16250     |

Safe working loads based on approximate 4:1 Safety Factor in 3,000 psi normal weight concrete.

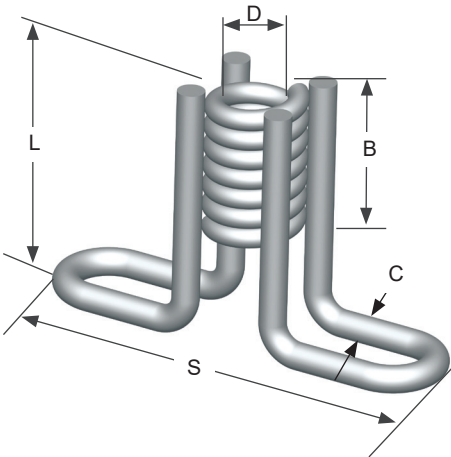


# Coil Lifting System



## Flared Thin Slab Coil Insert - Wing Nut Style

Coil is welded to two "L" profile closed loop wire struts. Intended for handling thin slab concrete sections. Available with manual weld.

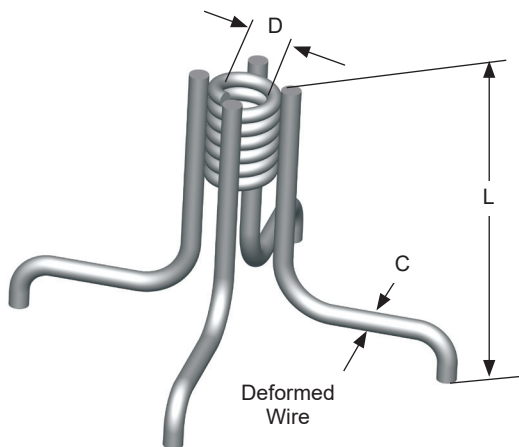


| ITEM CODE   | THREAD (D) | INSERT LENGTH (L) | BODY LENGTH (B) | WIRE DIA. (C) | SPREAD (S) | SWL (LBS) | SUGGESTED EDGE DISTANCE |
|-------------|------------|-------------------|-----------------|---------------|------------|-----------|-------------------------|
| C63C05175   | 1/2"       | 1-3/4"            | 1-3/16"         | 0.223"        | 4-1/2"     | 950       | 4"                      |
| C63C0752516 | 3/4"       | 2-5/16"           | 1-5/8"          | 0.375"        | 4-7/8"     | 2000      | 5"                      |
| C63C07530   | 3/4"       | 3"                | 1-5/8"          | 0.375"        | 4-7/8"     | 2980      | 8"                      |
| C63C075312  | 3/4"       | 3-1/2"            | 1-5/8"          | 0.375"        | 4-7/8"     | 3400      | 10"                     |
| C63C07540   | 3/4"       | 4"                | 1-5/8"          | 0.375"        | 4-7/8"     | 3400      | 10"                     |
| C63C102516  | 1"         | 2-5/16"           | 2-1/16"         | 0.375"        | 5-1/4"     | 2000      | 5"                      |
| C63C1030    | 1"         | 3"                | 2-1/16"         | 0.375"        | 5-1/4"     | 2980      | 8"                      |
| C63C10350   | 1"         | 3-1/2"            | 2-1/16"         | 0.375"        | 5-1/4"     | 3400      | 10"                     |
| C63C1040    | 1"         | 4"                | 2-1/16"         | 0.375"        | 5-1/4"     | 3400      | 10"                     |
| C63C10412   | 1"         | 4-1/2"            | 2-1/16"         | 0.375"        | 5-1/4"     | 4750      | 10"                     |

Safe working loads based on approximate 4:1 Safety Factor in 3,000 psi normal weight concrete. CONAC does not recommend using 1/2" inserts for lifting.

## Single Pick Up Coil Inserts

Used for face lifting of flat wall panels and slabs. Available in additional lengths and thread sizes. Optional .444 rod diameter will provide 80 Kips load capacity. Available with manual weld.



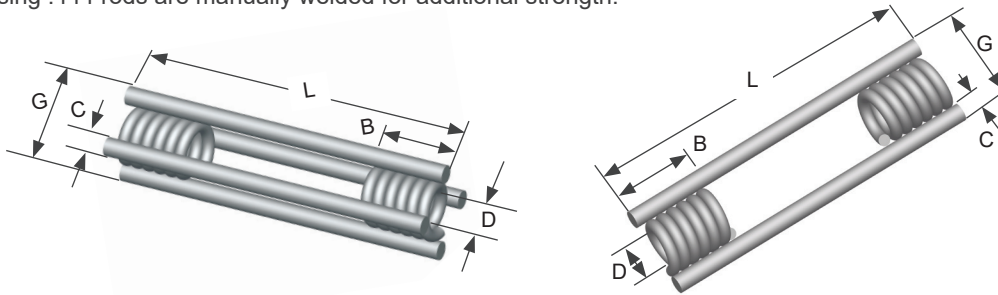
| ITEM CODE | THREAD (D) | INSERT LENGTH (L) | WIRE DIA. (C) | SWL (LBS) |
|-----------|------------|-------------------|---------------|-----------|
| C1T10550  | 1"         | 5-1/2"            | 0.375"        | 3750      |
| C1T10650  | 1"         | 6-1/2"            | 0.375"        | 5000      |
| C1T1070   | 1"         | 7"                | 0.444"        | 6750      |
| C1T10750  | 1"         | 7-1/2"            | 0.375"        | 6480      |
| C1T10950  | 1"         | 9-1/2"            | 0.375"        | 8100      |

Safe working loads based on approximate 4:1 Safety Factor in 3,000 psi normal weight concrete.

# Coil Lifting System

## Coil Ties

Strong and versatile coil tie insert intended for lifting. The coil is welded to two or four struts. Also available with Shear Bar. Coil Ties using .444 rods are manually welded for additional strength.

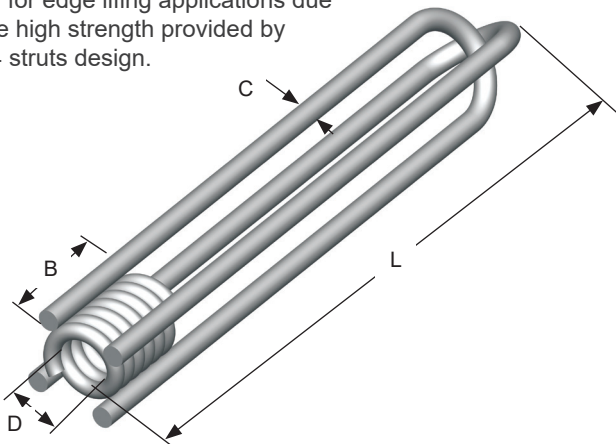


| ITEM CODE     | STRUTS | THREAD (D) | INSERT LENGTH (L) | BODY LENGTH (B) | WIRE DIAMETER (C) | OVERALL WIDTH (G) | SWL (LBS) |
|---------------|--------|------------|-------------------|-----------------|-------------------|-------------------|-----------|
| CT2-3/4X5     | 2      | 3/4"       | 5"                | 1-5/8"          | 0.375"            | 1-5/8"            | 4250      |
| CT2-3/4X6     | 2      | 3/4"       | 6"                | 1-5/8"          | 0.440"            | 1-5/8"            | 4500      |
| CT2-3/4X8     | 2      | 3/4"       | 8"                | 1-5/8"          | 0.440"            | 1-5/8"            | 6000      |
| CT2-1X6       | 2      | 1"         | 6"                | 2-1/16"         | 0.440"            | 2-3/8"            | 6000      |
| CT2-1-1/4X8   | 2      | 1-1/4"     | 8"                | 2-1/16"         | 0.440"            | 2-1/2"            | 7500      |
| CT4-3/4X6     | 4      | 3/4"       | 6"                | 1-5/8"          | 0.440"            | 1-3/4"            | 6000      |
| CT4-1X6       | 4      | 1"         | 6"                | 2-1/16"         | 0.440"            | 2-3/8"            | 6000      |
| CT4-1X8       | 4      | 1"         | 8"                | 2-1/16"         | 0.440"            | 2-3/8"            | 9000      |
| CT4-1X12      | 4      | 1"         | 12"               | 2-1/16"         | 0.440"            | 2-3/8"            | 9000      |
| CT4-1X15      | 4      | 1"         | 15"               | 2-1/16"         | 0.440"            | 2-3/8"            | 9000      |
| CT4-1-1/4"X8  | 4      | 1-1/4"     | 8"                | 2-3/8"          | 0.440"            | 2-1/2"            | 9000      |
| CT4-1-1/4"X12 | 4      | 1-1/4"     | 12"               | 2-3/8"          | 0.440"            | 2-1/2"            | 13500     |
| CT4-1-1/4"X18 | 4      | 1-1/4"     | 18"               | 2-3/8"          | 0.440"            | 2-1/2"            | 13500     |
| CT4-1X12S     | 4      | 1"         | 12"               | 2-1/16"         | 0.440"            | 2-3/4"            | 9000      |
| CT4-1X15S     | 4      | 1"         | 15"               | 2-1/16"         | 0.440"            | 2-3/4"            | 9000      |
| CT4-1X18S     | 4      | 1"         | 18"               | 2-1/16"         | 0.440"            | 2-3/4"            | 9000      |
| CT6-1-1/4X10  | 6      | 1-1/4"     | 10"               | 2-3/8"          | 0.440"            | 2-3/4"            | 12000     |

Safe working loads based on approximate 4:1 Safety Factor in 3,000 psi normal weight concrete.

## Straight Criss-Cross Coil Inserts

Ideal for edge lifting applications due to the high strength provided by the 4 struts design.



| ITEM CODE     | THREAD (D) | INSERT LENGTH (L) | WIRE DIA. (C) | BODY LENGTH (B) | SWL (LBS) |
|---------------|------------|-------------------|---------------|-----------------|-----------|
| FCC 3/4X9     | 3/4"       | 9"                | 0.375"        | 1-5/8"          | 3,700     |
| FCC1X12HD     | 1"         | 12"               | 0.440"        | 2-1/16"         | 6,500     |
| FCC1-1/4X12HD | 1-1/4"     | 12"               | 0.440"        | 2-3/8"          | 7,500     |

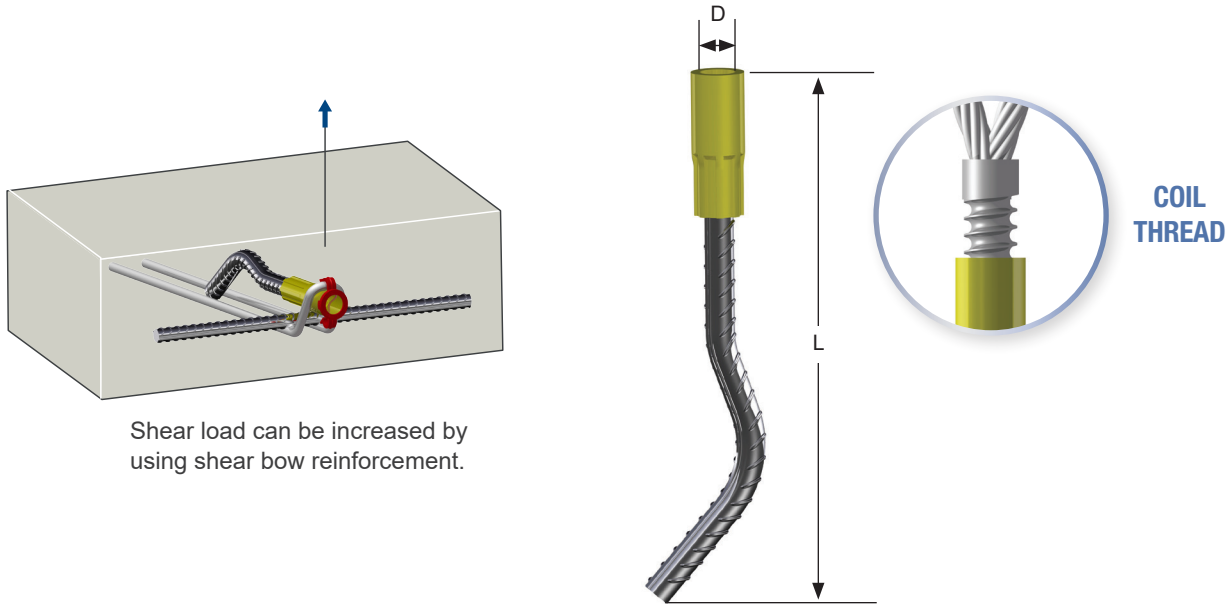
Safe working loads based on approximate 4:1 Safety Factor in 3,000 psi normal weight concrete.

# Coil Lifting System



## Waved Tail Anchors (Coil Thread)

Extended waved tail provides exceptional tensile capacity in thin panels. Can also be used in shear with addition of a shear bow.

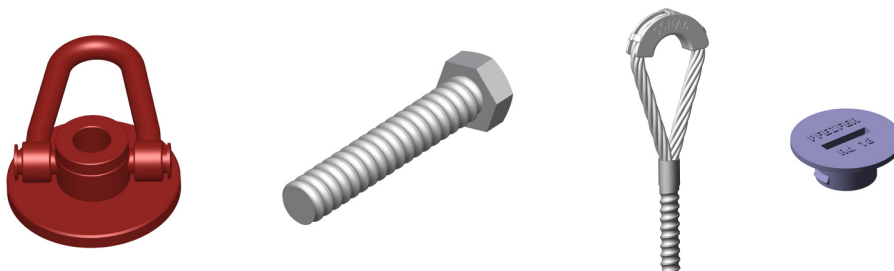


Shear load can be increased by using shear bow reinforcement.

| TON | ITEM CODE  | ANCHOR LENGTH (L) | THREAD SIZE (D) | MIN. END DISTANCE | MIN. PANEL THICK. TENSION | MIN. PANEL THICK. SHEAR | SWL SHEAR (LBS) | SWL TENSION (LBS) |
|-----|------------|-------------------|-----------------|-------------------|---------------------------|-------------------------|-----------------|-------------------|
| 2   | WTC 3/4"   | 10-1/4"           | 3/4"            | 11"               | 3-1/2"                    | 4-1/2"                  | 2000            | 4000              |
| 3.5 | WTC 1"     | 15-1/2"           | 1"              | 14"               | 4-3/4"                    | 6"                      | 3500            | 7000              |
| 8   | WTC 1-1/4" | 25"               | 1-1/4"          | 20"               | 7"                        | 9-1/2"                  | 8000            | 16000             |

Safe working loads based on approximate 4:1 Safety Factor in 2,200 psi normal weight concrete.

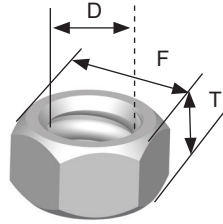
Compatible with coil lifting accessories.



# Coil Lifting System

## Standard Coil Nuts (CN-13)

Available in plain and plated finish.

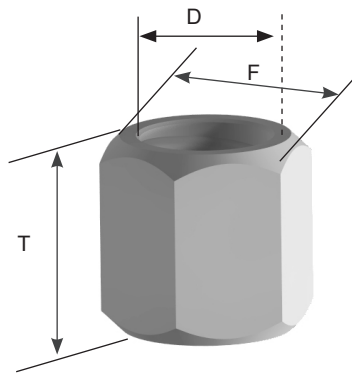


| ITEM CODE | THREAD (D) | THICK. (T) | ACROSS FLAT (F) | SWL TENSION (LBS) |
|-----------|------------|------------|-----------------|-------------------|
| CN05      | 1/2"       | 1/2"       | 7/8"            | 1800              |
| CN075     | 3/4"       | 5/8"       | 1-1/8"          | 3600              |
| CN10      | 1"         | 1"         | 1-1/2"          | 7200              |
| CN1025    | 1-1/4"     | 1-1/4"     | 2"              | 14400             |
| CN1050    | 1-1/2"     | 1-1/2"     | 2-3/8"          | 19000             |

Note: In applications with Coil Bolts or Rods, the published loads assume usage of two Coil Nuts locked closely together. Safe working loads based on approximate 5:1 Safety Factor.

## Heavy Duty Coil Nuts (CN-25)

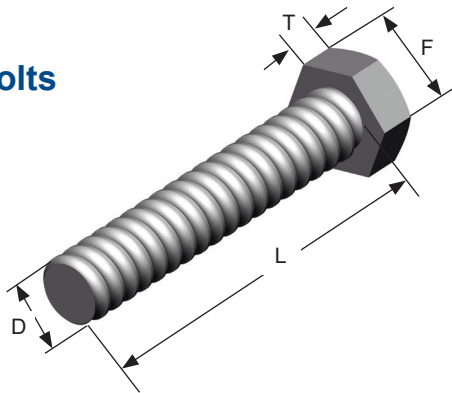
Available in plain and plated finish.



| ITEM CODE | THREAD (D) | THICK. (T) | ACROSS FLAT (F) | SWL TENSION (LBS) |
|-----------|------------|------------|-----------------|-------------------|
| CN25-75   | 3/4"       | 1-1/2"     | 1-1/4"          | 7200              |
| CN25-10   | 1"         | 2"         | 1-5/8"          | 15000             |
| CN25-1025 | 1-1/4"     | 2-1/2"     | 2"              | 22500             |
| CN25-1050 | 1-1/2"     | 3"         | 2-3/8"          | 27000             |

Safe working loads based on approximate 5:1 Safety Factor.

## Coil Bolts

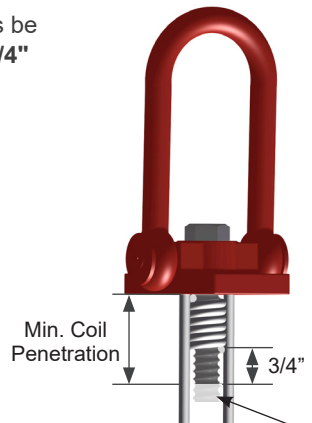


| ITEM CODE | THREAD (D) | LENGTH (L) | HEAD THICK. (T) | ACROSS FLATS (F) | TENSILE STRENGTH (LBS) |
|-----------|------------|------------|-----------------|------------------|------------------------|
| CB0515    | 1/2"       | 1-1/2"     | 3/8"            | 3/4"             | 2700                   |
| CB0520    | 1/2"       | 2"         | 3/8"            | 3/4"             | 2700                   |
| CB0525    | 1/2"       | 2-1/2"     | 3/8"            | 3/4"             | 2700                   |
| CB0530    | 1/2"       | 3"         | 3/8"            | 3/4"             | 2700                   |
| CB0540    | 1/2"       | 4"         | 3/8"            | 3/4"             | 2700                   |
| CB0550    | 1/2"       | 5"         | 3/8"            | 3/4"             | 2700                   |
| CB0560    | 1/2"       | 6"         | 3/8"            | 3/4"             | 2700                   |
| CB07520   | 3/4"       | 2"         | 1/2"            | 1-1/8"           | 4600                   |
| CB07525   | 3/4"       | 2-1/2"     | 1/2"            | 1-1/8"           | 4600                   |
| CB07530   | 3/4"       | 3"         | 1/2"            | 1-1/8"           | 4600                   |
| CB07540   | 3/4"       | 4"         | 1/2"            | 1-1/8"           | 4600                   |
| CB07550   | 3/4"       | 5-1/2"     | 1/2"            | 1-1/8"           | 4600                   |
| CB07560   | 3/4"       | 6"         | 1/2"            | 1-1/8"           | 4600                   |
| CB1040    | 1"         | 4"         | 5/8"            | 1-1/2"           | 7200                   |
| CB102580  | 1-1/4"     | 8"         | 3/4"            | 1-7/8"           | 13500                  |

Safe working loads based on approximate 5:1 Safety Factor. Other sizes available upon request.

**CAUTION:** Coil Bolts should always be long enough to penetrate at least 3/4" beyond the coil insert threads.

| 3/4" COIL BOLT (SWL)            |                    |
|---------------------------------|--------------------|
| Tension                         | Shear              |
| 4600 LBS                        | 3080 LBS           |
| Minimum Coil Penetration 2-1/2" |                    |
| Bolt Length                     | Min. Thread Length |
| 3"                              | 2-7/8"             |
| 4"                              | 3-7/8"             |



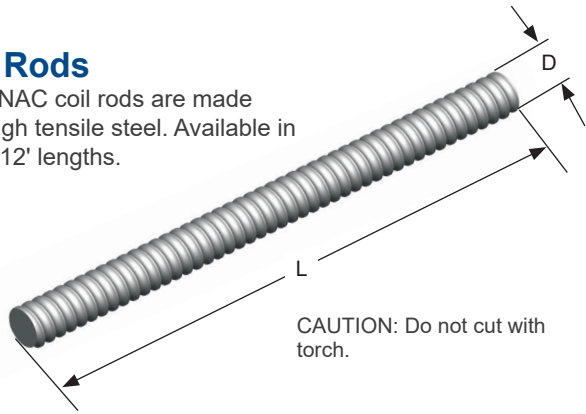
Sufficient void to be created beyond Coil Bolt using CONAC Plastic Coil Protector (PCP) or setting bolt.

# Coil Lifting System



## Coil Rods

All CONAC coil rods are made from high tensile steel. Available in 6' and 12' lengths.



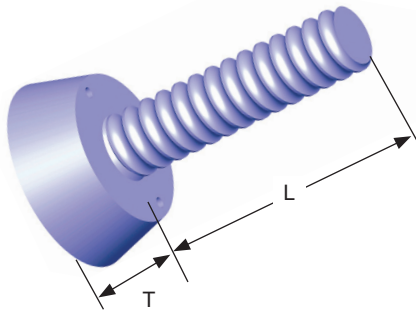
CAUTION: Do not cut with torch.

| ITEM CODE      | THREAD (D) | LENGTH (L) | TENSILE SWL (LBS) | SHEAR SWL (LBS) |
|----------------|------------|------------|-------------------|-----------------|
| CR 1/2 X 6'    | 1/2"       | 6'         | 3600              | 2400            |
| CR 1/2 X 12'   | 1/2"       | 12'        | 3600              | 2400            |
| CR 3/4 X 6'    | 3/4"       | 6'         | 7200              | 4800            |
| CR 3/4 X 12'   | 3/4"       | 12'        | 7200              | 4800            |
| CR 1 X 6'      | 1"         | 6'         | 15000             | 10000           |
| CR 1 X 12'     | 1"         | 12'        | 15000             | 10000           |
| CR 1-1/4 X 6'  | 1-1/4"     | 6'         | 22400             | 15000           |
| CR 1-1/4 X 12' | 1-1/4"     | 12'        | 22400             | 15000           |
| CR 1-1/2 X 6'  | 1-1/2"     | 6'         | 27000             | 18000           |
| CR 1-1/2 X 12' | 1-1/2"     | 12'        | 27000             | 18000           |

Safe working loads based on approximate 5:1 Safety Factor. Available in plain and plated finish.

## Plastic Coil Protector

Looks like coil bolt. Use for keeping the coil clean during casting. Can be nailed to wood forms.



| ITEM CODE | THREAD SIZE | T    | L      | COLOR | QUANTITY PER BOX |
|-----------|-------------|------|--------|-------|------------------|
| PCP-05    | 1/2" COIL   | 1/2" | 2-1/4" | white | 200              |
| PCP-075   | 3/4" COIL   | 3/4" | 3"     | white | 200              |
| PCP-01    | 1" COIL     | 3/4" | 4-1/2" | white | 200              |

## Coil Threaded Plastic Plugs

Can be nailed to wood forms.



| ITEM CODE | THREAD SIZE | COLOR     | QUANTITY PER BOX |
|-----------|-------------|-----------|------------------|
| TP4016C   | 1/2" COIL   | lt. blue  | 100              |
| TP4018C   | 3/4" COIL   | dk. green | 100              |

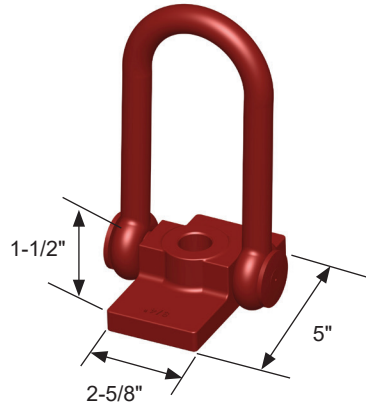


# Coil Lifting System

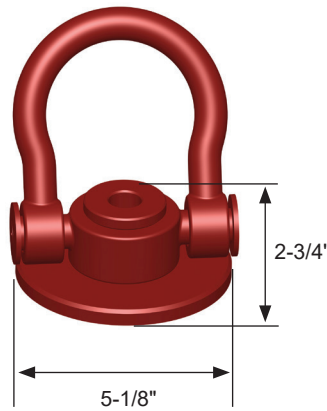


## Swivel Lifting Plates

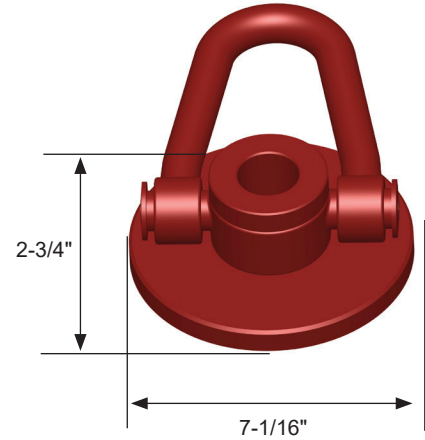
Swivel Lifting Plates must be tightened securely and at full bearing for safe lifting usage. Safe working loads based on approximate 5:1 safety factor.



| ITEM CODE | SIZE | MIN. BOLT LENGTH | SWL (LBS) |
|-----------|------|------------------|-----------|
| SWLP75    | 3/4" | 4"               | 9000      |
| SWLP10    | 1"   | 5"               | 9000      |



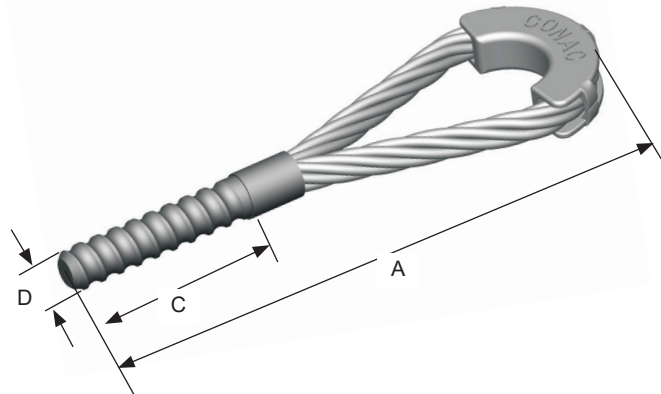
| ITEM CODE | SIZE | MIN. BOLT LENGTH | SWL (LBS) |
|-----------|------|------------------|-----------|
| SWLP10-D  | 1"   | 5"               | 9000      |



| ITEM CODE | SIZE   | MIN. BOLT LENGTH | SWL (LBS) |
|-----------|--------|------------------|-----------|
| SWLP125-D | 1-1/4" | 6"               | 13500     |
| SWLP150-D | 1-1/2" | 6"               | 13500     |

## Coil Lifting Loops

Most economical lifting units for this system. Manufactured from flexible wire rope. For tension only - limited to 30 degrees from vertical. Galvanized cable loop with mill finished threaded stud.



| ITEM CODE | DIAMETER (D) | CAPACITY LOAD (LBS) | A       | C      |
|-----------|--------------|---------------------|---------|--------|
| CLL50     | 1/2"         | 2000                | 5-1/2"  | 2-1/4" |
| CLL75     | 3/4"         | 5000                | 8-1/2"  | 2-3/4" |
| CLL100    | 1"           | 8000                | 10-3/4" | 2-3/4" |

Safe working loads based on approximate 5:1 Safety Factor.

## Eye Bolt

Forged steel: one piece coil threaded eye bolt for connection only.

| ITEM CODE        | THREAD (D) | THREAD LENGTH (L) | OUTSIDE DIA. (A) | INSIDE DIA. (B) | SWL (LBS) |
|------------------|------------|-------------------|------------------|-----------------|-----------|
| EYE BOLT 3/4X2   | 3/4"       | 2"                | 2-7/8"           | 1-1/2"          | 3600      |
| EYE BOLT 1X2-1/2 | 1"         | 2-1/2"            | 3-1/2"           | 1-3/4"          | 6400      |

Safe working loads based on approximate 5:1 Safety Factor.

