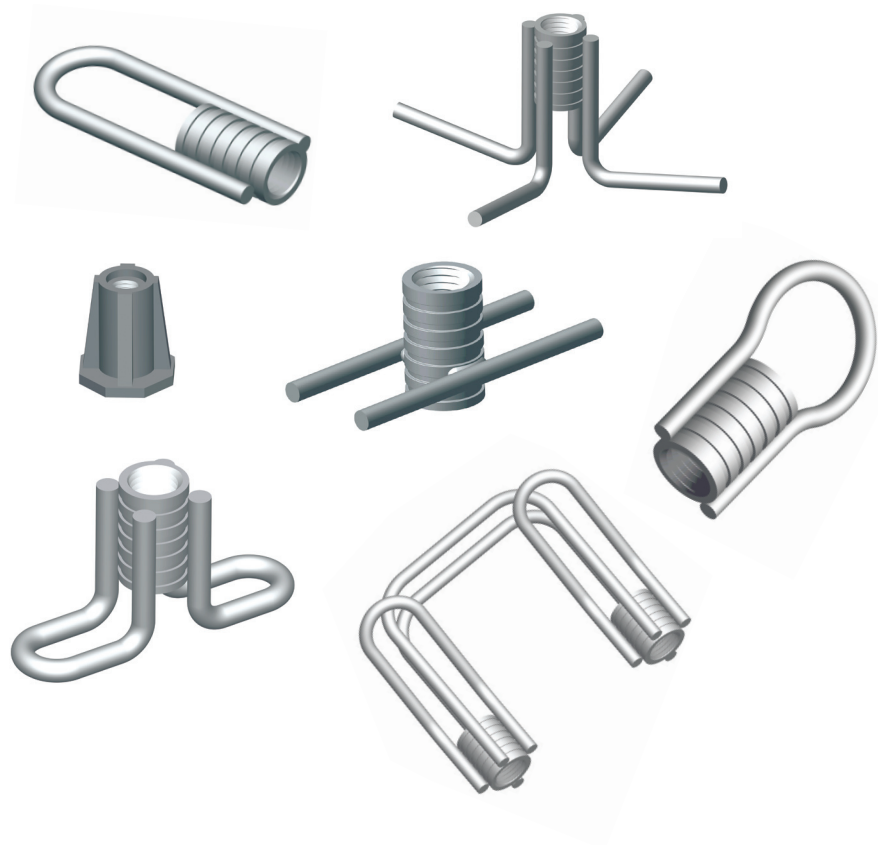


Ferrule Inserts

Connections

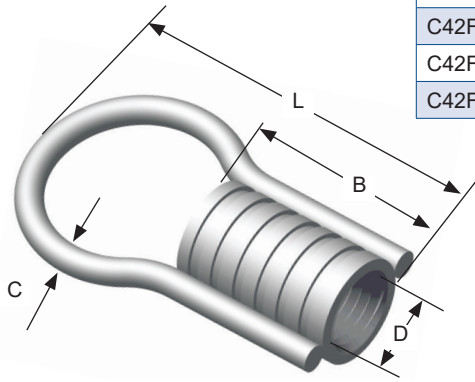


Note: Ferrule inserts are for connections only and should not be used for lifting. All ferrule inserts should be set back 1/2" from face of concrete. Standard finish is electroplated. Also available plain (Self Colored).

Ferrule Loop Inserts

N/C closed end threaded ferrule is welded to a single round loop strut. Intended as a connection insert.

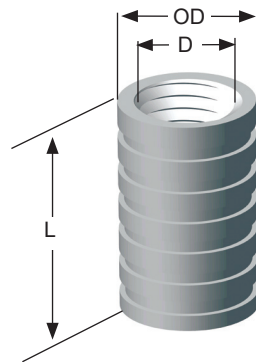
ITEM CODE	THREAD (D)	INSERT LENGTH (L)	THREAD DEPTH (B)	WIRE DIAMETER (C)	SWL (LBS)	SUGGESTED EDGE DISTANCE
C42F025	1/4"-20 NC	2-3/4"	1-1/4"	0.243"	650	5"
C42F038	3/8"-16 NC	2-3/4"	1-1/4"	0.243"	2000	5"
C42F050	1/2"-13 NC	2-3/4"	1-3/8"	0.262"	2000	5"
C42F058	5/8"-11 NC	3-1/4"	1-5/8"	0.262"	2400	5"
C42F075	3/4"-10 NC	3-1/2"	1-5/8"	0.375"	2400	5"
C42F078	7/8"-9 NC	6"	1-5/8"	0.375"	5300	8"
C42F100	1"-8 NC	6"	1-5/8"	0.375"	5300	8"



Safe working loads based on approximate 3:1 Safety Factor in 3,000 psi normal weight concrete. Stainless steel available in some sizes.

Ferrule Only

Plain ferrule can be furnished for fabricating special inserts at the job site.

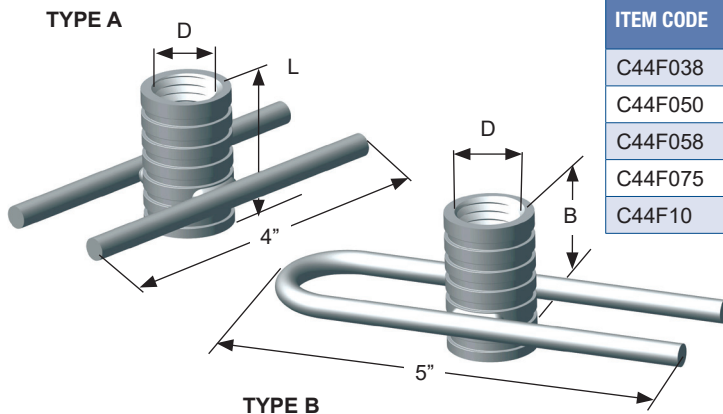


ITEM CODE	THREAD (D)	LENGTH (L)	OUTSIDE DIA. (OD)
C43F025	1/4" - 20 NC	1-1/4"	9/16"
C43F038	3/8" - 16 NC	1-1/4"	9/16"
C43F050	1/2" - 13 NC	1-3/8"	11/16"
C43F058	5/8" - 11 NC	1-5/8"	7/8"
C43F075	3/4" - 10 NC	1-5/8"	1"
C43F078	7/8" - 9 NC	1-5/8"	1-1/4"
C43F100	1" - 8 NC	1-5/8"	1-3/8"

Safe working loads based on approximate 3:1 Safety Factor in 3,000 psi normal weight concrete. Stainless steel available in some sizes.

Thin Slab Ferrule Inserts

Very versatile insert intended for use as an anchorage insert in relatively thin slab concrete. N/C closed end ferrule insert is welded to parallel struts. Intended as a connection insert.



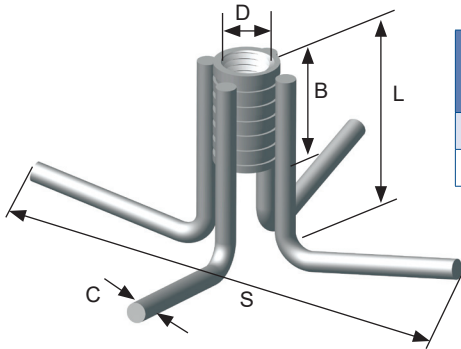
ITEM CODE	THREAD (D)	INSERT LENGTH (L)	THREAD DEPTH (B)	SWL (LBS)	SUGGESTED EDGE DISTANCE
C44F038	3/8"-16 NC	1-1/4"	1-1/4"	450	2-1/2"
C44F050	1/2"-13 NC	1-3/8"	1-3/8"	900	2-3/4"
C44F058	5/8"-11 NC	1-5/8"	1-5/8"	1000	3"
C44F075	3/4"-10 NC	1-5/8"	1-5/8"	1600	3"
C44F10	1"-8 NC	1-5/8"	1-5/8"	1600	3"

Safe working loads based on approximate 3:1 Safety Factor in 3,000 psi normal weight concrete.

Note: Ferrule inserts are for connections only and should not be used for lifting. All ferrule inserts should be set back 1/2" from face of concrete. Standard finish is electroplated. Also available plain (Self Colored).

Thin Slab 4 Leg Ferrule Inserts

Very versatile insert intended for use as an anchorage insert in relatively thin slab concrete. N/C closed end ferrule insert is welded to 4 "L" shaped legs. Intended as a connection insert.



ITEM CODE	THREAD (D)	INSERT LENGTH (L)	THREAD DEPTH (B)	WIRE DIAMETER (C)	SPREAD (S)	SWL (LBS)	SUGGESTED EDGE DISTANCE
C52F0753	3/4"-10 NC	3"	1-5/8"	0.306"	7-1/6"	2650	7"
C52F104	1"-8 NC	4"	1-5/8"	0.375"	9-3/8"	4000	9"

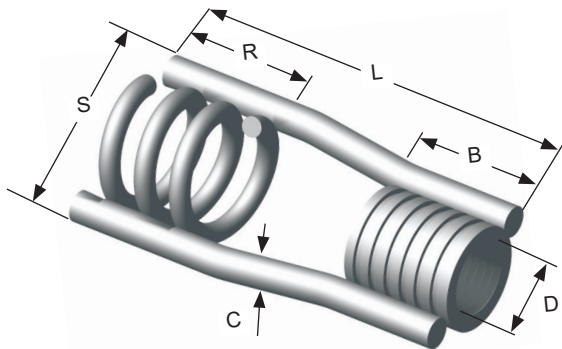
Safe working loads based on approximate 3:1 Safety Factor in 3,000 psi normal weight concrete.

Expanded Ferrule Inserts

A Ferrule is welded to two or four wire side struts. At the opposite end of the struts from the thread ferrule is an expanded wire embedment coil. These inserts offer a wide degree of casting versatility and high strength for a variety of conditions.

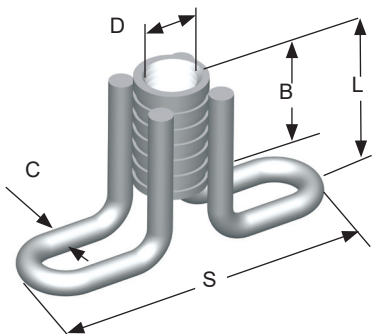
ITEM CODE	THREAD (D)	INSERT LENGTH (L)	THREAD DEPTH (B)	WIRE DIAMETER (C)	SPREAD LENGTH (R)	SPREAD (S)	SWL (LBS)	SUGGESTED EDGE DISTANCE
C57F-3/4	3/4"-10 NC	4-5/8"	1-5/8"	0.440"	1-1/2"	2-1/4"	5660	7-1/2"
C57F-1	1"-8 NC	5-5/8"	1-5/8"	0.440"	2-1/4"	2-3/4"	8330	11"

Safe working loads based on approximate 3:1 Safety Factor in 3,000 psi normal weight concrete.



Flared Thin Slab Ferrule Inserts (Wing Nut Style)

N/C closed end threaded ferrule is welded to two "L" profile closed loop wire struts. Intended as a connection insert in thin slab concrete sections.



ITEM CODE	THREAD (D)	INSERT LENGTH (L)	THREAD DEPTH (B)	WIRE DIAMETER (C)	SPREAD (S)	SWL (LBS)	SUGGESTED EDGE DISTANCE
C62F05175	1/2"-13 NC	1-3/4"	1-3/8"	0.306"	4-3/4"	1200	5"
C62F05827	5/8"-11 NC	2-7/16"	1-5/8"	0.375"	4-3/4"	2500	5"
C62F07527	3/4"-10 NC	2-7/16"	1-5/8"	0.375"	4-7/8"	2650	5"
C62F07535	3/4"-10 NC	3-5/8"	1-5/8"	0.375"	4-7/8"	4500	7"
C62F10278	1"-8 NC	2-7/8"	1-5/8"	0.375"	5-1/8"	2650	5"
C62F10458	1"-8 NC	4-5/8"	1-5/8"	0.375"	5-1/8"	6300	8"

Safe working loads based on approximate 3:1 Safety Factor in 3,000 psi normal weight concrete.

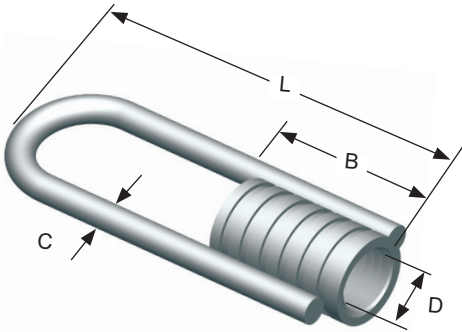
Ferrule Inserts



Note: Ferrule inserts are for connections only and should not be used for lifting. All ferrule inserts should be set back 1/2" from face of concrete. Standard finish is electroplated. Also available plain (Self Colored).

Straight Ferrule Loop Inserts

N/C closed end threaded ferrule is welded to a closed loop wire strut.



ITEM CODE	THREAD (D)	INSERT LENGTH (L)	THREAD DEPTH (B)	WIRE DIAMETER (C)	SWL (LBS)	SUGGESTED EDGE DISTANCE
C64F054	1/2"-13 NC	4-1/8"	1-3/8"	0.306"	3000	5"
C64F056	1/2"-13 NC	6-1/8"	1-3/8"	0.306"	5000	7"
C64F0584	5/8"-11 NC	4-1/8"	1-5/8"	0.375"	3000	5"
C64F0586	5/8"-11 NC	6-1/8"	1-5/8"	0.375"	5000	7"
C64F0754	3/4"-10 NC	4-1/8"	1-5/8"	0.375"	3000	5"
C64F0756	3/4"-10 NC	6-1/8"	1-5/8"	0.375"	5000	8"
C64F0786	7/8"-9 NC	6-1/8"	1-5/8"	0.375"	5000	8"
C64F106	1"-8 NC	6-1/8"	1-5/8"	0.375"	5000	8"
C64F108	1"-8 NC	8-1/8"	1-5/8"	0.375"	5000	8"

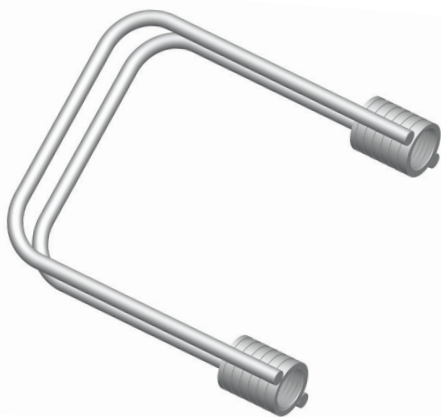
Safe working loads based on approximate 3:1 Safety Factor in 3,000 psi normal weight concrete.

Connections

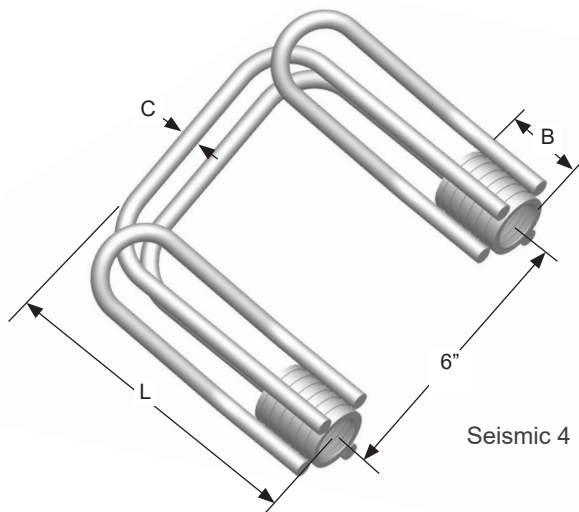
Seismic Inserts

ITEM CODE	THREAD (D)	NOMINAL DEPTH (L)	THREAD DEPTH (B)	WIRE DIAMETER (C)	SWL (LBS)	BAR	SUGGESTED EDGE DISTANCE
SEISMIC 4-6"	1"-8 NC	6"	1-5/8"	0.375"	5670	4 Bars	6" or 9"
SEISMIC 4-8"	1"-8 NC	8"	1-5/8"	0.375"	5670	4 Bars	6" or 9"

Safe working loads based on approximate 3:1 Safety Factor in 3,000 psi normal weight concrete.



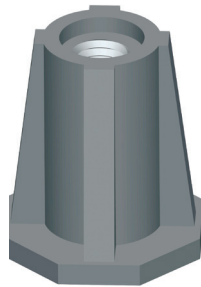
Seismic 2



Seismic 4

Threaded Zinc Inserts

Conac Threaded Zinc Insert is zinc alloy die cast. A high strength corrosive resistant precast insert. Should not be used for lifting.



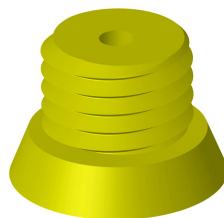
ITEM CODE	THREAD SIZE	LENGTH	SWL (LBS) SHEAR	SWL (LBS) TENSION	SUGGESTED EDGE DISTANCE
TSI 25x150	1/4"	1-1/12"	780	970	3"
TSI 38x138	3/8"	1-3/8"	910	1020	3"
TSI 38x138 ob*	3/8"	1-3/8"	910	1020	3"
TSI 50x150	1/2"	1-1/2"	1010	1250	3"
TSI 50x150 ob*	1/2"	1-1/2"	1010	1250	3"
TSI 50x278	1/2"	2-7/8"	2460	3000	5"
TSI 58x169	5/8"	1-11/16"	1090	1660	3"
TSI 58x278	5/8"	2-7/8"	2610	3030	5"
TSI 75x169	3/4"	1-11/16"	1120	1660	3"
TSI 75x3	3/4"	3"	2700	3170	5"

Safe working loads based on approximate 3:1 Safety Factor in 3,500 psi normal weight concrete.

* ob: Open Bottom

Threaded Plastic Plugs

Can be used with any NC threaded insert. Can be nailed to wood forms.



ITEM CODE	THREAD SIZE	COLOR	QUANTITY PER BOX
TP4014N	1/4" NC	brown	200
TP4015N	3/8" NC	black	200
TP4016N	1/2" NC	blue	100
TP4017N	5/8" NC	yellow	100
TP4018N	3/4" NC	green	100
TP4019N	7/8" NC	red	100
TP4010N	1" NC	blue	100